

Tanzu



Design: Goodman Charlton



Tanzu

C-23

CONFIGURATIONS

OTTOMAN • CHAIR

*Top view shown at 1/4" scale.

SPECIFICATIONS

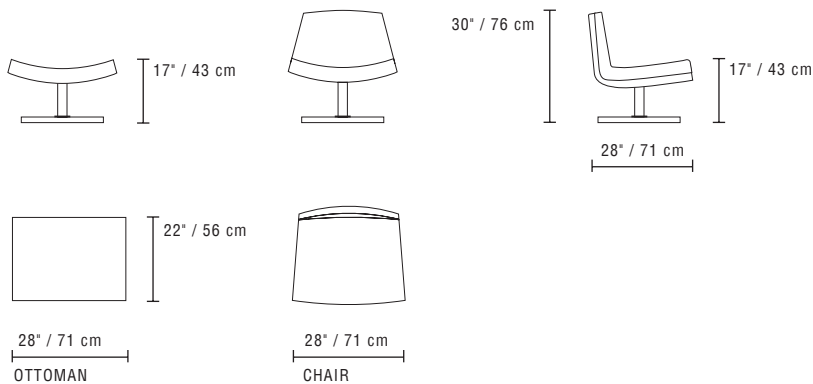
FRAME: Select hardwood and industrial grade plywood covered with polyurethane foam and polyester fiber.

SUSPENSION: 3" unidirectional webbing.

CUSHIONS: Seat & back; multiple density and IFD polyurethane foam wrapped with polyester fiber.

UPHOLSTERY: Fabrics; all edges are serged and top stitched.
Leather; top stitched.

BASE: Ottoman; Round satin chrome with plastic glide.
Chair; Round Polished chrome and swivel mechanism with plastic glide.



Specifications are subject to change without notice.
©2002 Dellarobbia, Inc.

DELLAROBBI
CALIFORNIA