

AMERICAN LEATHER®  
 AMERICAN LEATHER® CLASSICS COLLECTION  
 SOFAS & SECTIONALS

**KENDALL**

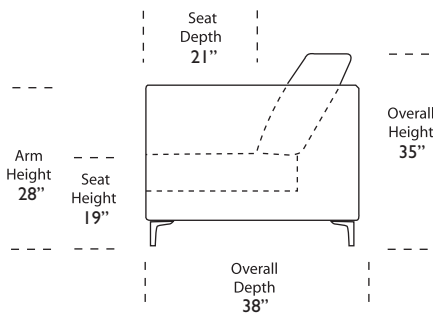
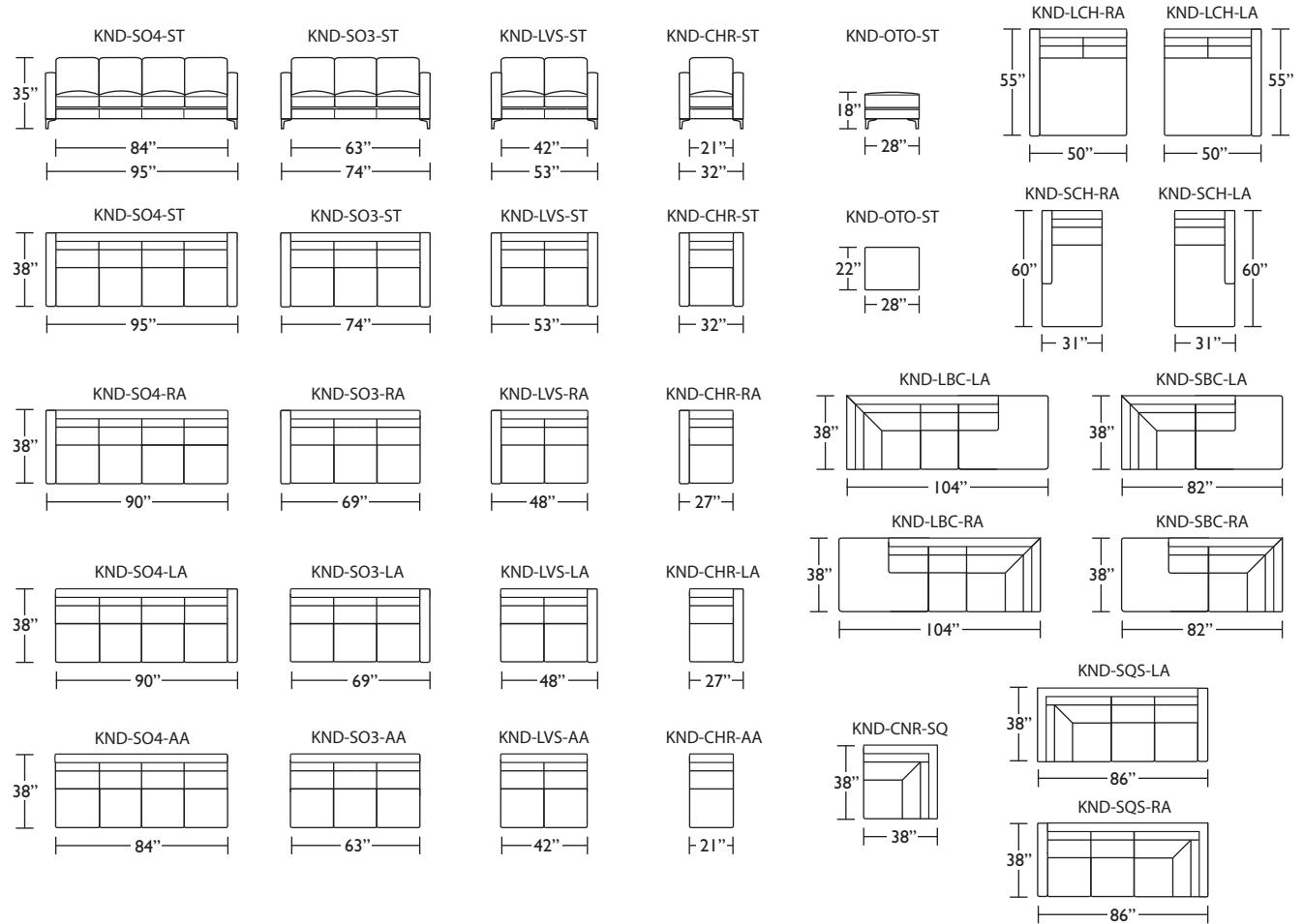
**Standard Features:**

- Advanced unidirectional suspension system
- Premium high-density, high-resiliency foam seats
- Quick-ship delivery
- Lifetime warranty on frame & suspension
- Single-needle top stitching
- Loose back & seat cushions
- Aluminum legs

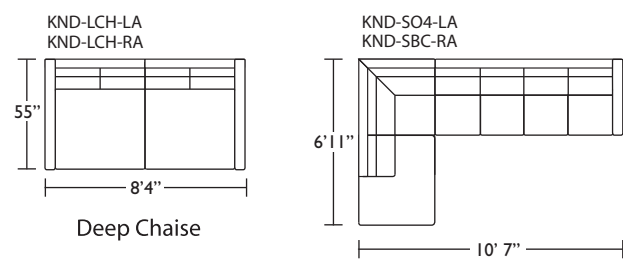
**Options:**

- Wood legs available in Acorn, Espresso or Walnut finish
- Extra firm premium high-density, high-resiliency foam seats
- Contrasting seat & back cushion available

Please use actual leather, fabric and Ultrasuede® swatches when specifying furniture as the colors shown may vary due to the printing process.



**Suggested Configurations**



Scale: 1/8 inch = 1 foot  
 All dimensions are approximate and subject to change.  
 Specify components from the sitting position.